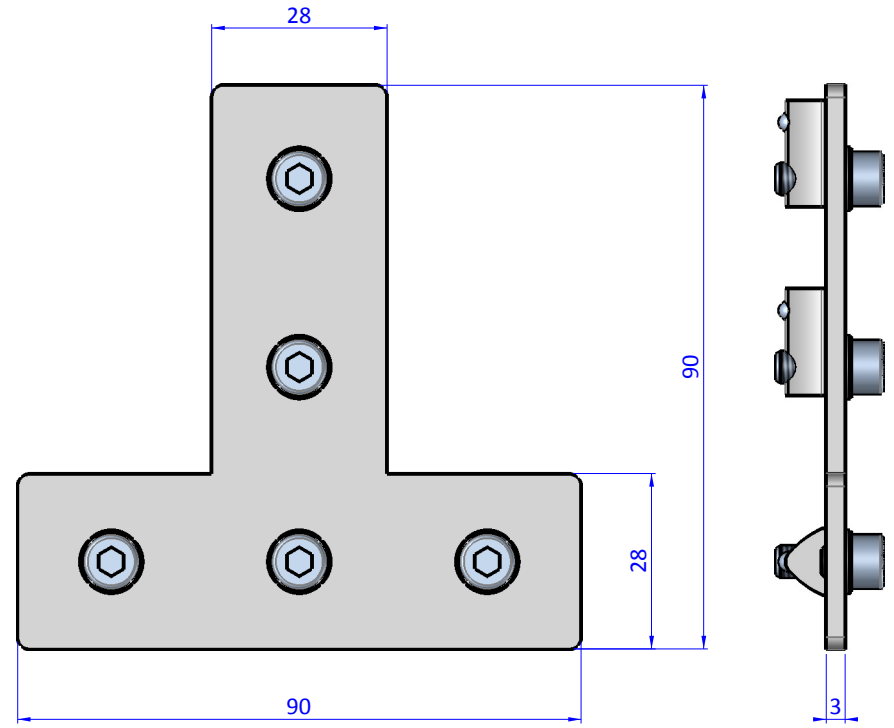
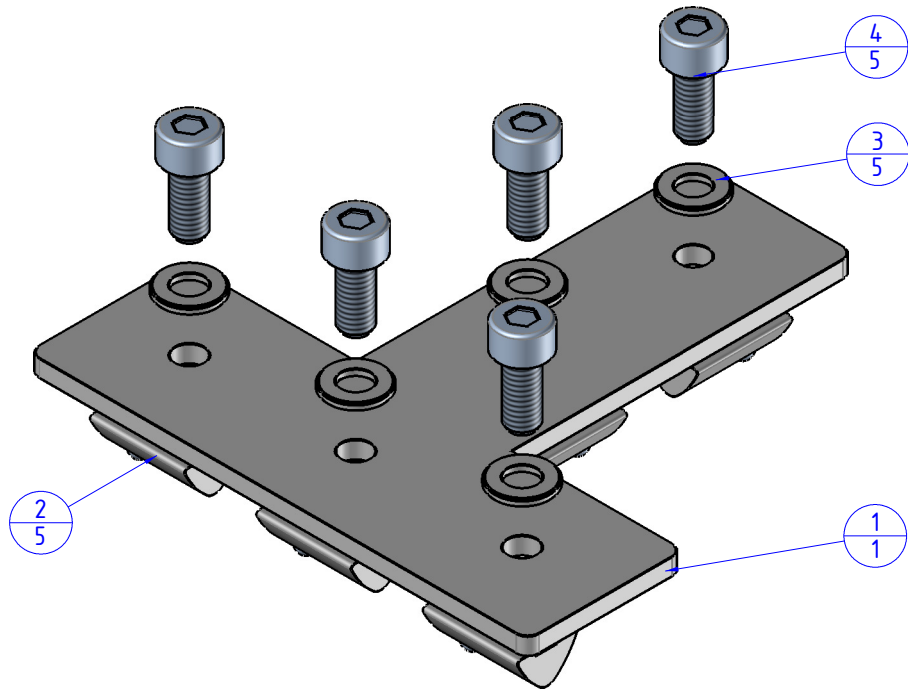



THE PROPERTY OF THE DRAWING IS ESTABLISHED BY LAW. IT IS FORBIDDEN TO PRODUCE OR SHOW IT TO THIRD PART, WITHOUT A WRITTEN AGREEMENT.

Object Number	Name	QTY
1	03.10.008	1
2	02.05.005	5
3	R.5	5
4	V.TCE5x12	5



Format A3

UNI 936-76

 FPS SERVICES AUTOMATION		DESIGNED FROM		REVIEW
		FPS Automation		A
GENERAL TOLERANCE		DATE	WEIGHT	
UNI - ISO 2768		08/11/2018	0,145kg	
CLASSE f	DESCRIPTION	CODE		
	CA.03.10.008	CA.03.10.008		